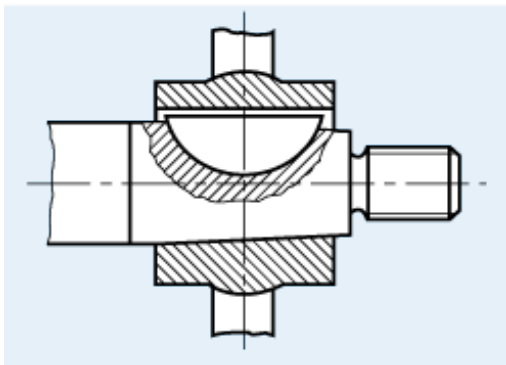
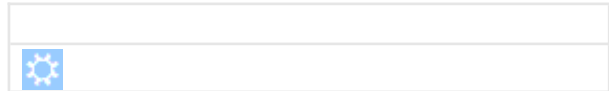


<b>BN 873</b>
<b>Woodruff keys</b>
Steel
plain
• ~UNI 6606



2x5; 3x7,5; 4x9; 5x10: not included in DIN 6888

Article#	b Tol. h9	d <sub>2</sub>	L~	h Tol. h12
1322737	1,5	7	6,76	2,6
1322745	2	7	6,76	2,6
1322753		10	9,66	3,7
1322796		13	12,65	5
1322761	2,5	10	9,66	3,7
1322788	3	10	9,66	3,7
1322818		13	12,65	5
1322834		16	15,72	6,5
1322869		19	18,57	7,5
1322826	4	13	12,65	5
1322842		16	15,72	6,5
1322877		19	18,57	7,5
1322893		22	21,63	9
1322850	5	16	15,72	6,5
1322885		19	18,57	7,5
1322907		22	21,63	9
1322923		25	24,49	10

2x5; 3x7,5; 4x9; 5x10: not included in DIN 6888

Article#	b Tol. h9	d <sub>2</sub>	L~	h Tol. h12
1322915	6	22	21,63	9
1322931		25	24,49	10
1322966		28	27,35	11
1322982	8	28	27,35	11
1322990		32	31,43	13
1323008	10	32	31,43	13
1323016		45	43,08	16