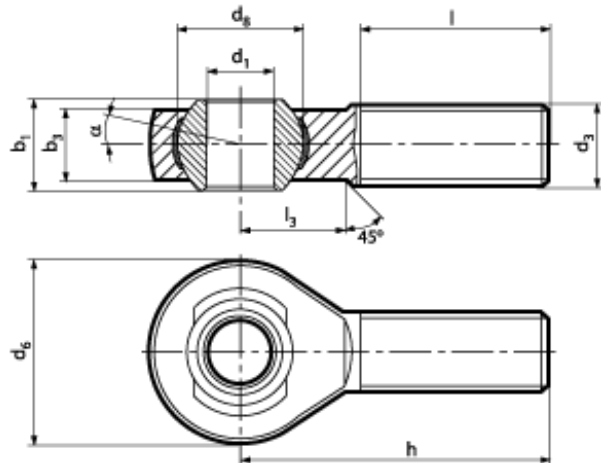


	ISO 12240-4K		Durbal	
---	-------------------------	--	---------------	--

BEM



BN 34
Rod ends
with integral spherical plain bearing
right hand thread
Steel
zinc plated blue

i The rod end ball slides on a bearing shell consisting of a glass fiber-filled nylon/teflon compound. This design is maintenance-free.

Article#	d1 H7	d3	d6	d8	b1	b3	h	l	l3	α	Dynamic bearing capacity	Static bearing capacity
1037854	5	M5	18	11,11	8	6	33	20	9	13°	3900 N	8400 N
1037862	6	M6	20	12,7	9	6,75	36	22	12	13°	4600 N	11700 N
1037870	8	M8	24	15,87	12	9	42	25	15	14,5°	7000 N	21500 N
1037889	10	M10	28	19,05	14	10,5	48	29	15	13,5°	10400 N	24900 N
1037897	12	M12	32	22,22	16	12	54	33	19	13°	12400 N	36100 N
1037900	14	M14	36	25,4	19	13,5	60	36	20	16°	15400 N	45400 N
1037919	16	M16	42	28,57	21	15	66	40	22	15,5°	22400 N	56600 N
1037927	18	M18x1,5	46	31,75	23	16,5	72	44	25	15°	26300 N	69700 N
1037935	20	M20x1,5	50	34,92	25	18	78	47	28	14,5°	30800 N	82200 N
1037951	25	M24x2	60	42,85	31	22	94	57	30	15°	45400 N	118600 N
1037978	30	M30x2	70	50,8	37	25	110	66	35	17°	55000 N	145600 N