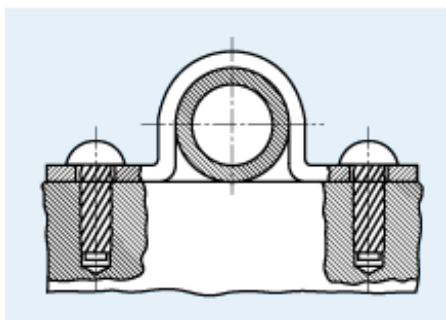


BN 896
Hammer drive screws type U
round head
Steel case-hardened
nickel plated
• ~CSN 022195

! ISO 4042
 Fasteners hardness ≥ 320 HV with electroplated coatings:
 Susceptible to hydrogen embrittlement!
 Further notice to residual risks can be found in the introduction section.



For fastening pipe clamps

Article#	d ₁	d ₂	d ₃	k	s min.	Hole- ϕ	L
1360825	1,47	1,18-1,24	2,29-2,51	0,66-0,86	1,19	1,3	3,17
1360833							4,76
1360841							6,35
1360868	1,85	1,52-1,6	3-3,23	1,04-1,24	1,19	1,7	3,17
1360876							4,76
1360884							6,35
1360892	2,49	2,03-2,11	3,71-4,11	1,5-1,75	1,19	2,2	3,17
1360906							4,76
1360914							6,35
1360922							7,93
1360930	2,89	2,34-2,44	4,9-5,36	1,91-2,18	1,19	2,65	4,76
1360949							6,35
1360957							7,93
1360965							9,52
1360973	3,5	2,84-2,95	6,1-6,6	2,31-2,62	1,59	3,05	6,35
1360981							7,93
1361007							9,52
1069373	3,86	3,1-3,2	6,71-7,24	2,61-2,82	1,59	3,45	7,93
1069403							9,52
1069411							12,7

Article#	d ₁	d ₂	d ₃	k	s min.	Hole-∅	L
1069446	4,16	3,35-3,45	7,29-7,85	2,72-3,05	1,98	3,65	9,52
1069454							12,7
1069462							15,87
1069489	4,55	3,71-3,81	8,48-9,12	3,12-3,48	1,98	4,1	9,52
1069616							12,7
1069721							15,87
1069748	5,31	4,39-4,5	9,7-10,36	3,53-3,89	3,18	4,85	12,7
1069756							19,05