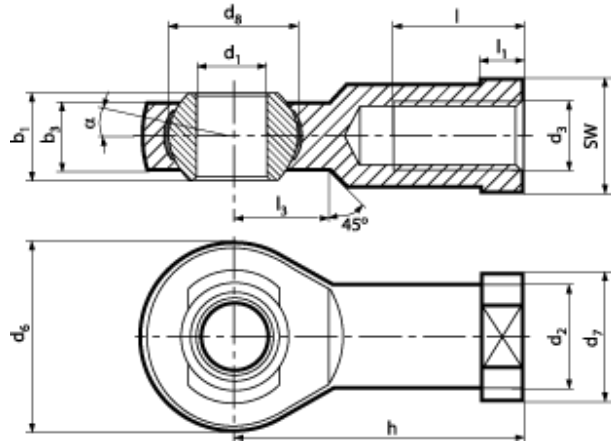




ISO 12240-4K

Durbal

BEF



BN 99

Rod ends

with integral spherical plain bearing

right hand thread

Steel

zinc plated blue



The rod end ball slides on a bearing shell consisting of a glass fiber-filled nylon/teflon compound. This design is maintenance-free.

Article#	d1 H7	d2	d3	d6	d7	d8	b1	b3	h	l	l1	l3	α	SW	Dynamic bearing capacity	Static bearing capacity
1065084	5	9	M5	18	11	11,11	8	6	27	10	4	10	13°	9	3900 N	11900 N
1065092	6	10	M6	20	13	12,7	9	6,75	30	12	5	10	13°	11	4600 N	14100 N
1065106	8	12,5	M8	24	16	15,87	12	9	36	16	5	12	14,5°	14	7000 N	21100 N
1065114	10	15	M10	28	19	19,05	14	10,5	43	20	6,5	15	13,5°	17	10400 N	30200 N
1065122	12	17,5	M12	32	22	22,22	16	12	50	22	6,5	16	13°	19	12400 N	36700 N
1066528	14	20	M14	36	25	25,4	19	13,5	57	25	8	20	16°	22	15400 N	45500 N
1066536	16	22	M16	42	27	28,57	21	15	64	28	8	22	15,5°	22	22400 N	59600 N
1066544	18	25	M18x1,5	46	31	31,75	23	16,5	71	32	10	24	15°	27	26300 N	69700 N
1066552	20	27,5	M20x1,5	50	34	34,92	25	18	77	33	10	26	14,5°	30	30800 N	82200 N
1066560	22	30	M22x1,5	54	38	38,1	28	20	84	37	12	26	15,5°	32	38200 N	95600 N
1066579	25	33,5	M24x2	60	42	42,85	31	22	94	42	12	30	15°	36	45400 N	118600 N
1066587	30	40	M30x2	70	50	50,8	37	25	110	51	15	35	17°	41	55000 N	145600 N