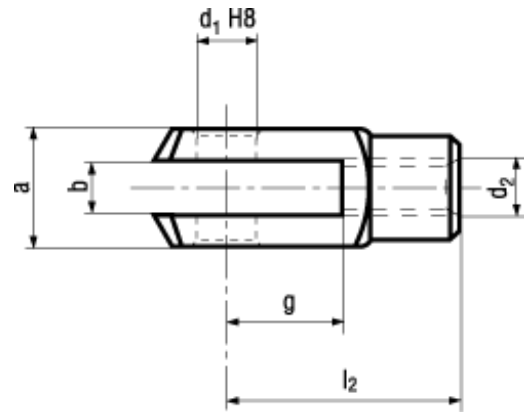
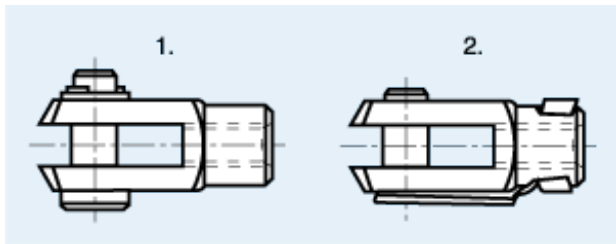
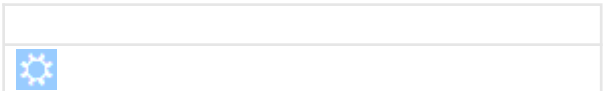


DIN 71752



BN 482
Fork heads
normal thread
Free-cutting steel
zinc plated blue
• ~UNI 1676



Variante 1: fork head, clevis pin, washer, split pin
 Variante 2: fork head, ES-bolt (BN 484)

Article#	d ₁	g	d ₂	a	b	l ₂
1190466	4	8	M4	8	4	16
1190474		16	M4	8	4	24
1190482	5	10	M5	10	5	20
1190490		20	M5	10	5	30
1190504	6	12	M6	12	6	24
1190512		24	M6	12	6	36
1190520	8	16	M8	16	8	32
1190539		32	M8	16	8	48
1190547	10	20	M10	20	10	40
1190555		40	M10	20	10	60
1190563	12	24	M12	24	12	48
1190571		48	M12	24	12	72
1190598	14	28	M14	27	14	56
1190601		56	M14	27	14	85
1190628	16	32	M16	32	16	64
1190636		64	M16	32	16	96