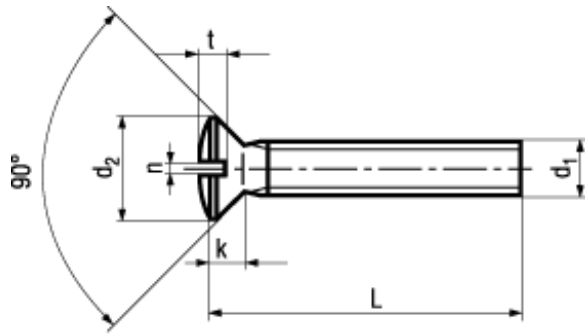




DIN 964 A ~ISO 2010

Standard withdrawn



BN 657

Slotted oval countersunk head machine screws

Stainless steel A4

- ~UNI 6110
- ~CSN 021155



All lengths fully threaded

Article#	d ₁	d ₂ max.	k max.	n	t min.	L
1248715	M3	5,6	1,65	0,8	1,2	6
1248723						8
1248731						10
1248758						12
1248766						(14)
1248774						16
1248782						20
1248839	M4	7,5	2,2	1	1,6	10
1248847						12
1248855						(14)
1248863						16
1248871						20
1248898						25
1248901						30
1411691						35
1248928						40
5805260						50
5805270						60
1248936	M5	9,2	2,5	1,2	2	10
1248944						12
1248952						(14)
1248960						16

Article#	d ₁	d ₂ max.	k max.	n	t min.	L
1248979	M5	9,2	2,5	1,2	2	20
1248987						25
1248995						30
1249002						35
1249010						40
1249029						50
5408539						60
5805290						70
5805300						80
5805310						100
1249037	M6	11	3	1,6	2,4	10
1249045						12
1249061						16
1249088						20
1249096						25
1249118						30
1249126						35
1249134						40
5408679						45
1249142						50
1411705						60
5403207						70
5403208						80
5403209						100
1249169	M8	14,5	4	2	3,2	20
1249185						30
1249193						40
1411810						50
5408946						60
5409063						70
5409209						80
5408806						100