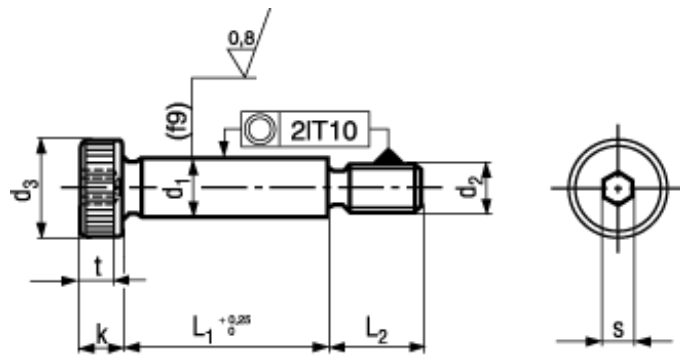


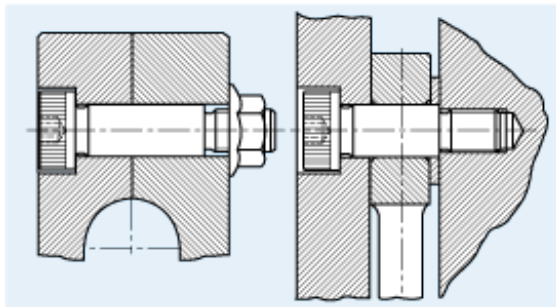


The head marking is determining



**BN 1359**  
**Hex socket head shoulder bolts**  
 Steel 012.9 / 12.9  
 black

**!** These screws are not intended for high strength applications.



6; 12; 24: not included in ISO 7379

Article#	d <sub>1</sub>	d <sub>1</sub> min.	d <sub>1</sub> max.	d <sub>2</sub>	L <sub>2</sub>	d <sub>3</sub>	k max.	t min.	s	L <sub>1</sub>
1985019	6	5,96	5,99	M5	9,5	10	4,5	2,4	3	8
1079891										10
1079999										12
1080121										16
1080172										20
1080199										25
1081977										30
1985027										35
1081985										40
1985035										45
1202065										50
3645988										60
1985043	8	7,951	7,987	M6	11	13	5,5	3,3	4	10
1081993										12
1083066										16

6; 12; 24: not included in ISO 7379

Article#	d <sub>1</sub>	d <sub>1</sub> min.	d <sub>1</sub> max.	d <sub>2</sub>	L <sub>2</sub>	d <sub>3</sub>	k max.	t min.	s	L <sub>1</sub>
1084275	8	7,951	7,987	M6	11	13	5,5	3,3	4	20
1085026										25
1085298										30
1985051										35
1085581										40
1985078										45
1086375										50
1985086										55
1985094										60
3645989										70
3645990	10	9,951	9,987	M8	13	16	7	4,2	5	10
1985108										12
1087495										16
1087517										20
1087525										25
1087533										30
1985116										35
1088513										40
1985124										45
1088548										50
1985132										55
1088564										60
1088580										70
1088653										80
3645991										90
3645992										100
2106299	12	11,941	11,984	M10	16	18	9	4,9	6	12
2106302										16
2106310										20
2106329										25
2106337										30
2106345										35
2106353										40
2106361										45
2106388										50
2106396										55
2106418										60
2106426										70
2106434										80
2106442										90
2106450										100

6; 12; 24: not included in ISO 7379

Article#	d <sub>1</sub>	d <sub>1</sub> min.	d <sub>1</sub> max.	d <sub>2</sub>	L <sub>2</sub>	d <sub>3</sub>	k max.	t min.	s	L <sub>1</sub>
2106469	16	15,941	15,984	M12	18	24	11	6,6	8	25
2106477										30
2106485										35
2106493										40
2106507										45
2106515										50
2106523										55
2106531										60
2106558										70
2106566										80
2106574										90
2106582										100
2106590										120
1985221	20	19,928	19,98	M16	22	30	14	8,8	10	35
1091336										40
1985248										45
1091344										50
1985256										55
1091891										60
1091905										70
1095994										80
1096087										90
1129635										100
1129643										120
1168851	24	23,928	23,98	M20	27	36	16	10	12	50
1168878										60
1168886										70
1168894										80
1168908										90
1168983										100
1168991										120