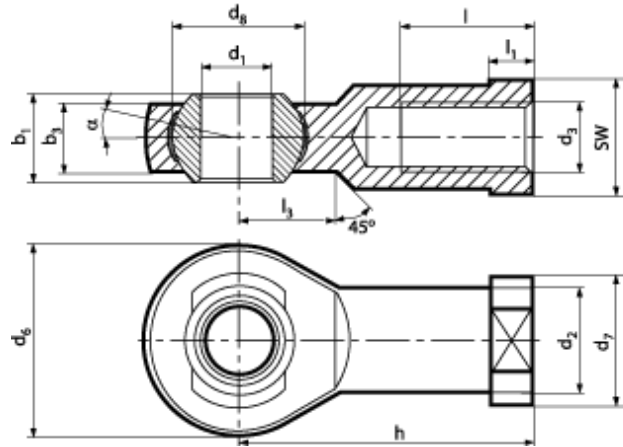




BEF



BN 20533
Rod ends
with integral spherical plain bearing
right hand thread
Stainless steel

i The rod end ball slides on a bearing shell consisting of a glass fiber-filled nylon/teflon compound. This design is maintenance-free.

Article#	d1 H7	d2	d3	d6	d7	d8	b1	b3	h	l	l1	l3	α	SW	Dynamic bearing capacity	Static bearing capacity
3547666	5	9	M 5	18	11	11,06	8	6	27	10	4	10	7,5	9	2400	7200
3547667	6	10	M 6	20	13	12,65	9	6,75	30	12	5	10	6,5	11	2820	8500
3547668	8	12,5	M 8	24	16	15,82	12	9	36	16	5	12	7,5	14	4280	12800
3547669	10	15	M10	28	19	19	14	10,5	43	20	6,5	15	8	17	6400	18300
3547670	12	17,5	M12	32	22	22,17	16	12	50	22	6,5	16	8	19	7600	22300
3547671	16	22	M16	42	27	28,52	21	15	64	28	8	22	8,5	22	13760	39700
3547672	20	27,5	M20x1,5	50	34	34,87	25	18	77	33	10	26	9	30	18960	54800
3547673	22	30	M22x1,5	54	38	38,05	28	20	84	37	12	26	10	32	23480	63600
3547674	25	33,5	M24x2	60	42	42,8	31	22	94	42	12	30	10	36	27860	79100