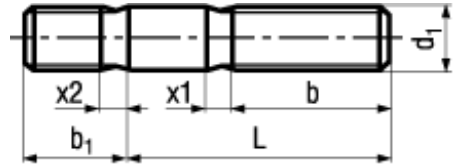
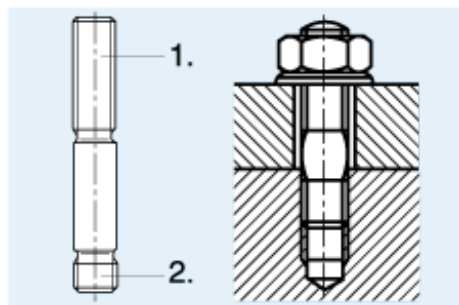


DIN 939 Fo



BN 666
Stud bolts
tap end without interference fit, length ~1,25 d
Stainless steel A4
<ul style="list-style-type: none"> • ~UNI 5911 • ~SN 212202 • ~CSN 021176

i The commercial quality is class A4-70 (tensile strength 700 N/mm²) for thread diameters M6 and up.
Tap end b_1 for assembly with normal thread 6H / 6g



- 1. Nut end
- 2. Tap end b_1

Article#	d_1	b_1	x^1	x^2	b	L
1252445	M6	7,5	2,5	1,25	14,5	20
1252453					18	25
1252461						30
1252488						35
1252496						40
1252518						50
1252526						60
1414003						70
1252534						80
1414011	M8	10	3,2	1,6	13,8	20
1252542					18,8	25
1252550					22	30
1252569						35
1252577						40
1252585						50
1252593						60
1414038						70
1252607						80

Article#	d ₁	b ₁	x ¹	x ²	b	L
1414046	M10	12	3,8	1,9	13,2	20
1414054					18,2	25
1252615					23,2	30
1252623					26	35
1252631						40
1252658						45
1252666						50
1252674						60
1414062						70
1252682						80
1252690						100
1252704	M12	15	4,3	2,2	22,7	30
1252712					27,7	35
1252720					30	40
1252739						45
1252747						50
1252755						60
1414070						70
1252763						80
1252771						100
1414089	M16	20	5	2,5	27	35
1252798					32	40
1252801					37	45
1252828					38	50
1252836						60
1414097						70
1252844						80
1252852						100
1414100	M20	25	6,3	3,2	30,7	40
1414119					40,7	50
1414127					46	60
1414135						70
1414143						80
1414151						100