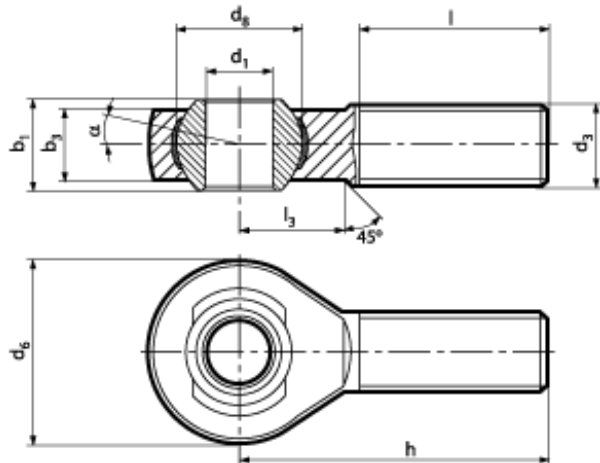


	ISO 12240-4K		Durbal	
---	-------------------------	--	---------------	--



BEM



BN 20535
Rod ends
with integral spherical plain bearing
right hand thread
Stainless steel

i The rod end ball slides on a bearing shell consisting of a glass fiber-filled nylon/teflon compound. This design is maintenance-free.

Article#	d ₁ H7	d ₃	d ₆	d ₈	b ₁	b ₃	h	l	l ₃	α	Dynamic bearing capacity	Static bearing capacity
3547684	5	M 5	18	11,06	8	6	33	20	9	7,5	2400	3500
3547686	6	M 6	20	12,65	9	6,75	36	22	12	6,5	2820	4900
3547687	8	M 8	24	15,82	12	9	42	25	15	7,5	4280	8800
3547688	10	M10	28	19	14	10,5	48	29	15	8	6400	14000
3547689	12	M12	32	22,17	16	12	54	33	19	8	7600	20300
3547690	16	M16	42	28,52	21	15	66	40	22	8,5	13760	37700
3547691	20	M20x1,5	50	34,87	25	18	78	47	28	9	18960	54800
3547692	22	M22x1,5	54	38,05	28	20	84	51	26	10	23480	63600
3547693	25	M24x2	60	42,8	31	22	94	57	30	10	27860	79100